

# LEIFELD C-Profile



## Material data:

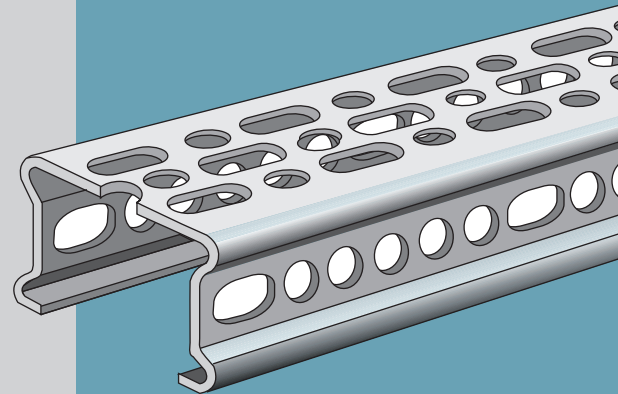
DX51 D+Z 275 MA-C

Galvanized (Sendzimir process)

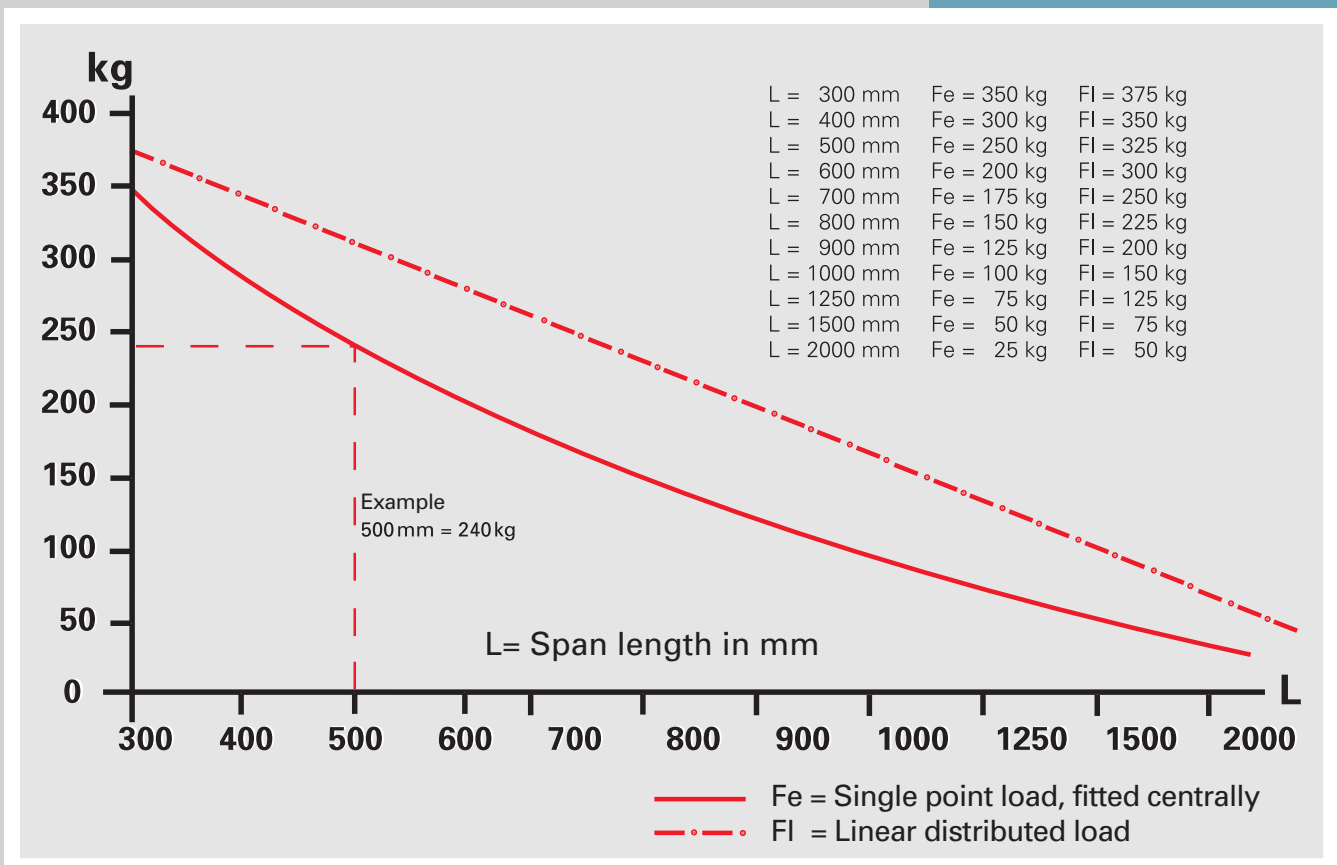
57 x 31 x 2 mm

Length 2000 mm

Weight 1,5 kg/m



## LEIFELD C-Profile load diagramm for L = 300mm - 2000mm



*The loads indicated are for reference only and assume that all elements have been installed by a professional.*

LEIFELD GmbH  
Hauptstraße 35  
D-33178 Borcheln

tel. +49 | 0 52 51 | 13 63 - 0  
fax. +49 | 0 52 51 | 13 63 - 66  
e-mail: [info@leifeld.de](mailto:info@leifeld.de)