
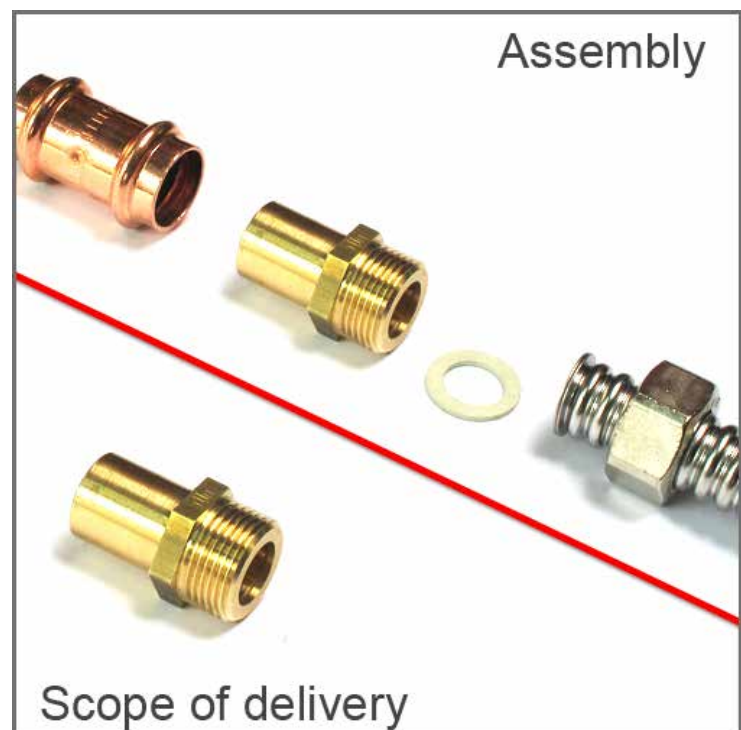
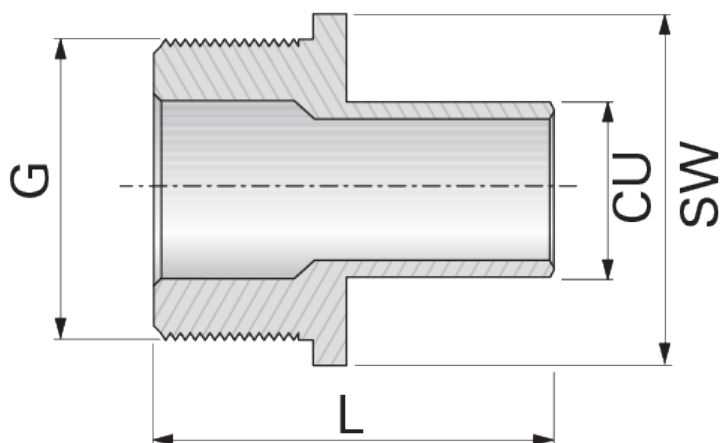


Description:	Press-Fit Nipple, extra large sealing surface one side
Part.#:	see table below
Material:	dezincification resistant brass (CW617N)
Thread:	DIN 259 ISO 228 G (BSP Whitworth cylindrical)
Operating temperature:	Max. 250°C
Manufacturer:	LEIFELD
Customs code:	74122000
Country of origin:	IT
REACH, ROHS, Building Products Regulations:	Not applicable
UBA Positive List	Approved for use with drinking water
DVGW certified uses:	 Drinking water, solar and heating

Part.#	GTIN	DN	G (Inch)	CU (mm)	L (mm)	SW (mm)	Weight (kg/Pce.)
ESN1515	4250289305174	15	G 3/4	15	45,0	27	0,076
ESN2215	4250289305181	15	G 3/4	22	45,1	27	0,075
ESN2220	4250289305198	20	G 1	22	49,0	33	0,102



Further Resources

Technical Information EUROTIS CSST:	https://wiki.leifeld.de
Leifeld Order system:	https://www.leifeld.de
Product film:	https://produkt.leifeld.de/film6-EN.htm