
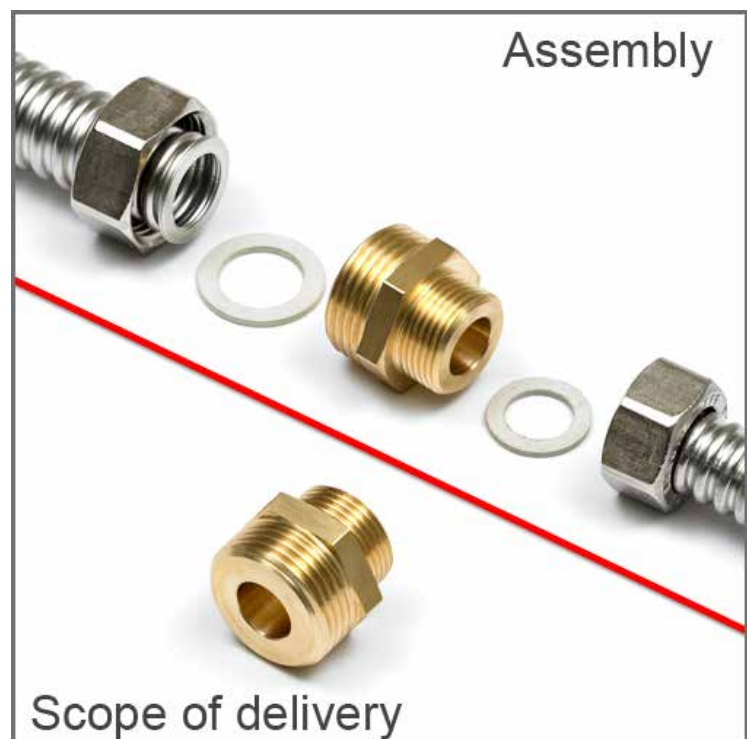
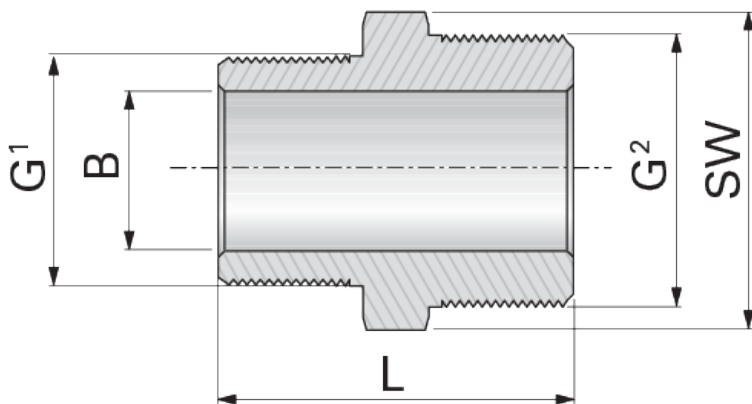


Description:	Reducing Double Nipple, extra large sealing surface both sides
Part.#:	see table below
Material:	dezincification resistant brass (CW617N)
Thread:	DIN 259 ISO 228 G (BSP Whitworth cylindrical)
Operating temperature:	Max. 250°C
Manufacturer:	LEIFELD
Customs code:	74122000
Country of origin:	ES
REACH, ROHS, Building Products Regulations:	Not applicable
UBA Positive List	Approved for use with drinking water
DVGW certified uses:	 Gas, drinking water, solar and heating

Part.#	GTIN	DN	G ¹ (Inch)	G ² (Inch)	B	L (mm)	SW (mm)	Weight (kg/Pce.)
ARDN2015	4250289304542	15, 20	G 3/4	G 1	14,5	30,0	36	0,130
ARDN2520	4250289304863	20, 25	G 1	G 1.1/4	20,0	38,0	46	0,239



Further Resources

Technical Information EUROTIS CSST:	https://wiki.leifeld.de
Leifeld Order system:	https://www.leifeld.de
Product film:	https://produkt.leifeld.de/film6-EN.htm