
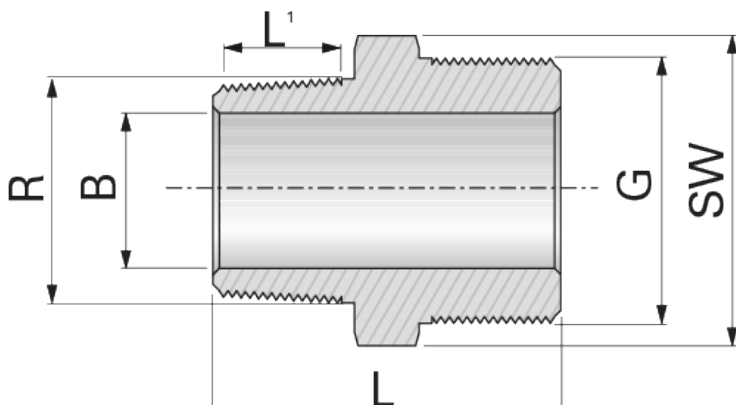


# Technical Data Sheet Reducing Double Nipple RDN32-50

<b>Description:</b>	Reducing Double Nipple, extra large sealing surface one side
<b>Part.#:</b>	see table below
<b>Material:</b>	dezincification resistant brass (CW617N)
<b>Thread:</b>	DIN 259 ISO 228 G (BSP Whitworth cylindrical) RC (BSPT) DIN EN 10226 (ISO 7/1) DIN 2999
<b>Operating temperature:</b>	Max. 250°C
<b>Manufacturer:</b>	EUROTIS
<b>Customs code:</b>	74122000
<b>Country of origin:</b>	IT
<b>REACH, ROHS, Building Products Regulations:</b>	Not applicable
<b>UBA Positive List</b>	Approved for use with drinking water
<b>DVGW certified uses:</b>	 Gas, drinking water, solar and heating

Part.#	GTIN	DN	R (Inch)	B (mm)	G (Inch)	L (mm)	L1 (mm)	SW (mm)	Weight (kg/Stk.)
<b>RDN32</b>	4250289305853	32	R 1.1/4	34,0	G 1.1/2	55,5	18,0	48	0,260
<b>RDN40</b>	4250289302227	40	R 1.1/2	41,0	G 2	60,5	19,5	62	0,477
<b>RDN50</b>	4250289302234	50	R 2	50,0	G 2.1/2	65,0	23,5	76	0,731



## Further Resources

<b>Technical Information EUROTIS CSST:</b>	<a href="https://wiki.leifeld.de">https://wiki.leifeld.de</a>
<b>Leifeld Order system:</b>	<a href="https://www.leifeld.de">https://www.leifeld.de</a>
<b>Product film:</b>	<a href="https://produkt.leifeld.de/film6-EN.htm">https://produkt.leifeld.de/film6-EN.htm</a>