
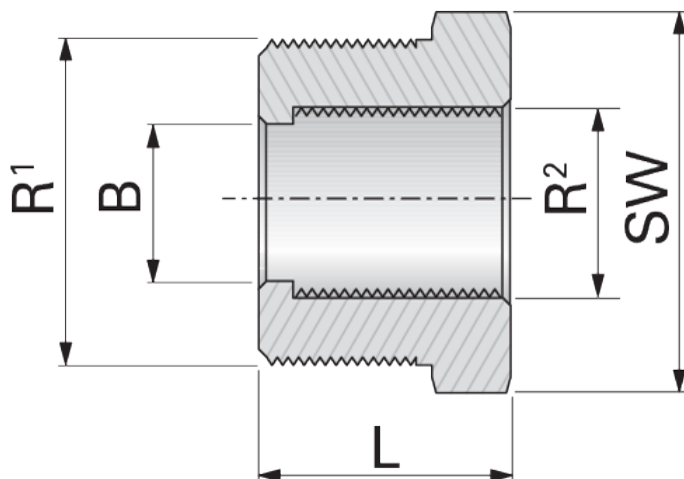


Description:	Reduction Piece, extra large sealing surface
Part.#:	see table below
Material:	dezincification resistant brass (CW617N)
Thread:	DIN 259 ISO 228 G (BSP Whitworth cylindrical)
Operating temperature:	Max. 250°C
Manufacturer:	EUROTIS
Customs code:	74122000
Country of origin:	IT
REACH, ROHS, Building Products Regulations:	Not applicable
UBA Positive List	Not approved for use with drinking water
DVGW certified uses:	 Solar and heating

Part.#	GTIN	DN	R ¹ (Inch)	B (mm)	R ² (Inch)	L (mm)	SW (mm)	Weight (kg/Pce.)
RST32	4250289302531	32	R 1.1/4	32,5	R 1.1/2	37,0	48	0,196
RST40	4250289302548	40	R 1.1/2	40,0	R 2	37,0	60	0,395
RST50	4250289302555	50	R 2	50,0	R 2.1/2	41,0	75	0,699



Further Resources

Technical Information EUROTIS CSST:	https://wiki.leifeld.de
Leifeld Order system:	https://www.leifeld.de
Product film:	https://produkt.leifeld.de/film6-EN.htm