
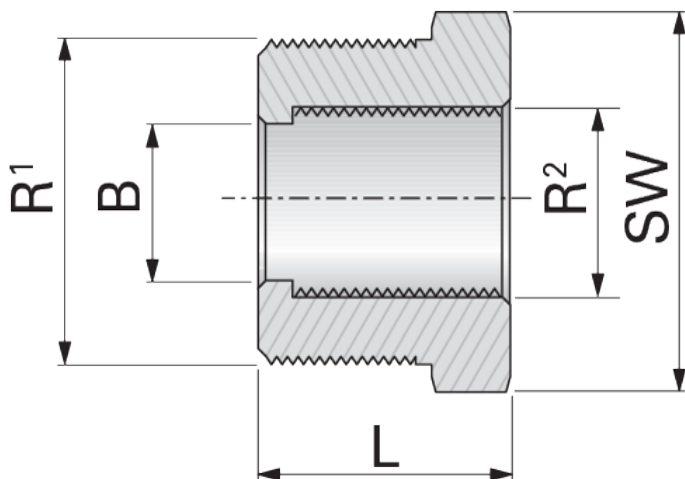


Description:	Reduction Piece, extra large sealing surface
Part.#:	see table below
Material:	Stainless steel V4A
Thread:	DIN 259 ISO 228 G (BSP Whitworth cylindrical)
Operating temperature:	Max. 250°C
Manufacturer:	LEIFELD
Customs code:	73072910
Country of origin:	IT
REACH, ROHS, Building Products Regulations:	Not applicable
UBA Positive List	Not approved for use with drinking water
DVGW certified uses:	 Solar and heating

Part.#	GTIN	DN	R ¹ (Inch)	B (mm)	R ² (Inch)	L (mm)	SW (mm)	Weight (kg/Pce.)
V4RST15	4250289304931	15	R 3/4	16,0	R 1/2	18,0	26,0	0,036
V4RST20	4250289304948	20	R 1	20,0	R 3/4	19,5	33,0	0,055
V4RST25	4250289304955	25	R 1.1/4	25,0	R 1	21,0	42,0	0,102



Further Resources

Technical Information EUROTIS CSST:	https://wiki.leifeld.de
Leifeld Order system:	https://www.leifeld.de
Product film:	https://produkt.leifeld.de/film6-EN.htm